



**FOOD WARMERS**

*SERVING THE FOOD INDUSTRY SINCE 1951*

## FOOD STEAMER/BOILER

Item: 11384

Model: FW-TW-0016



**LIMITED  
WARRANTY**  
PARTS AND LABOR



Authorized Dealer

# FOOD WARMERS

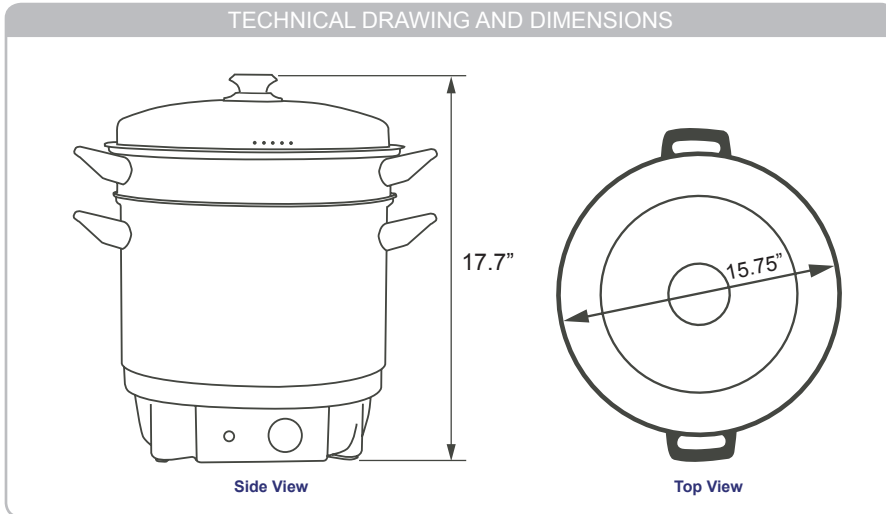
## FOOD STEAMER/BOILER



### Features:

- Security feature: automatic shut off
- Includes pot, lid, strainer insert and removable insert divider
- Made of SUS 304(18/8) stainless steel, 0.7mm thickness
- Fast heats up with 1600-watts

#### TECHNICAL DRAWING AND DIMENSIONS



Temperature switch controller



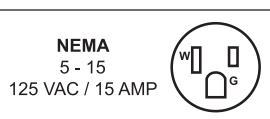
Strainer insert



Stainless steel pot interior

#### TECHNICAL SPECIFICATION

ITEM NUMBER	11384
MODEL	FW-TW-0016
DESCRIPTION	Food Steamer/Boiler
CAPACITY	17L/ 18 QT
POWER	1.6 kW
ELECTRICAL	120V/60Hz/1
WEIGHT	16.5 lbs./ 7.5 kgs.
PACKAGING WEIGHT	20 lbs./ 9 kgs
DIMENSIONS	17.7" (H) x 15.75 (Dia.)/ 449.6mm (H) x 400mm (Dia.)
PACKAGING DIMENSIONS	17" x 17" x 19"/ 432 x 432 x 482.6 mm



## OMCAN INC.

Telephone: 1-800-465-0234  
 Fax: (905) 607-0234  
 Email: sales@omcan.com  
 Website: www.omcan.com



Follow us to keep up to date with the latest news and offers

